

# Ipalyss

CERAMICS COLLECTION



## Ideal Standard



A T E L I E R

COLLECTIONS

A RANGE OF WASHBASINS, MADE POSSIBLE THROUGH DIAMATEC® TECHNOLOGY AND CHARACTERIZED BY A SENSUAL EXPRESSION THAT MAKES THEM UNIQUE IN THEIR SIMPLICITY. DIFFERENT SHAPES COMBINED WITH A REVISITED COLOUR PALETTE HARKING BACK TO IDEAL STANDARD'S HISTORICAL COLOURS. A BOLD COMBINATION OF CRAFT & INNOVATION PUSHING THE BOUNDARIES OF INTERIOR DESIGN.



**IPALYSS**  
JOY  
CONCA  
MIRROR

Vessel 55x38cm  
Vessel mixer / Chrome finish  
Basin unit 4 drawers / Smoked Oak finish  
Round mirror Ø80cm





**IPALYSS**

JOY  
JOY  
AROUND

Vessel 65x40cm

Vessel mixer / Chrome finish  
Vessel mixer / Silver Storm finish  
Free-standing bathtub



**IPALYSS**  
JOY

Vessel 80x38cm  
Vessel mixer / Chrome finish

vessel 80



vessel 65



vessel 55



round vessel Ø40



oval vessel 60x38



**IPALYSS** Oval vessel 60x38cm  
JOY Vessel mixer / Silver Storm finish

**IPALYSS** Round vessel Ø40cm  
CONNECT AIR Vessel mixer / Chrome finish



# Colour follows emotions



Powder



Concrete



Slate grey



Sage



Mink



Kashmir



Pomegranate



Nude

TEN NEW CERAMIC COLOURS – INCLUDING BLACK GLOSS, SLATE GREY, KASHMIR, SAGE AND POMEGRANATE – JOIN WHITE GLOSS AND WHITE SILK TO OFFER A COMPLETE PALETTE THAT BRINGS A SENSE OF EMOTION TO BATHROOM INTERIORS. SOME COLOURS HARK BACK TO HISTORICAL IDEAL STANDARD DESIGNS BUT WITH A CONTEMPORARY AND ELEGANT FINISH, WHILE OTHERS ARE ENTIRELY NEW AND HAVE BEEN DESIGNED TO COMPLEMENT POPULAR MODERN MATERIALS, SUCH AS MARBLE AND STONE.

**IPALYSS**  
MIRROR  
EDGE

Vessel 55x38cm / Black Gloss finish  
Square mirror Ø80 cm  
Vessel mixer / Chrome finish

Ten new ceramic colours – including Black Gloss, Slate Grey, Kashmir, Sage and Pomegranate – join White Gloss and White Silk to offer a complete palette that brings a sense of emotion to bathroom interiors.



BLACK GLOSS



black

**IPALYSS**  
CONNECT AIR

Vessel 55x38cm / Black Matt finish  
Vessel mixer / Chrome finish

Through considered design we strive to achieve a level of simplicity that is creating the perfect palette of emotion, functions and beauty.

BLACK MATT







**IPALYSS**  
JOY

Vessel 55x38cm / Mink finish  
Basin mixer / Chrome finish



MINK



KASHMIR

warm

IPALYSS  
JOY

Vessel 55x38cm / Concrete finish  
Vessel mixer / Silver Storm finish



CONCRETE



SLATE GREY



cold

**IPALYSS**

CONNECT AIR  
CONCA  
MIRROR

Vessel 55x38cm / Nude finish

Vessel mixer / Chrome finish

Vessel unit 160cm 4 drawers / Smoked Oak finish

Square mirror 120cm / Black frame



NUDE

Some colours hark back to historical Ideal Standard designs but with a contemporary and elegant finish, while others are entirely new and have been designed to complement popular modern materials, such as marble and stone.



coloured

**IPALYSS**

JOY  
CONCA  
MIRROR

Vessel 55x38cm / Powder finish

Vessel mixer / Silver Storm finish  
Vessel unit 120cm 2 drawers / Matt White finish  
Round mirror Ø80cm

## Ipalys + Joy



SILVER STORM



POWDER

**IPALYSS**

CONNECT AIR

Vessel 55x38cm with tap deck / Sage finish

Basin mixer / Brushed Gold finish

## Ipalys + Connect Air



BRUSHED GOLD



SAGE



**IPALYSS**

Vessel 55x38cm / Pomegranate finish

JOY

Vessel mixer / Brushed Gold finish

“The broader the palette,  
the greater the opportunity for self expression.”

ROBERTO PALOMBA



POMEGRANATE

**IPALYSS** Basin 55x38cm / White Silk finish  
**CONCA** Wall-mounted basin mixer / Chrome finish  
**CONCA** Basin unit 120cm 2 drawers / Dark Walnut finish





**IPALYSS**

JOY  
MIRROR

Vessel 55x38cm

Wall-mounted basin mixer / Chrome finish  
Square mirror 80cm / Black frame



**IPALYSS** Vessel 55x38cm / Black Matt finish  
**JOY** Vessel mixer / Brushed Gold finish

**IPALYSS** Vessel 55x38cm / White Gloss finish  
**JOY** Vessel mixer / Silver Storm finish



BRUSHED GOLD



SILVER STORM





DIAMATEC®

# Impossibly fine, effortlessly strong



Striving to achieve the most thin and precise designs in ceramics, Diamatec® was developed using a unique blend of alumina and chamotte. The result is a new material that allows designers to achieve the near impossible: highly complex and challenging designs with unprecedented strength and durability.



### STRONGER

Diamatec® technology means every Ipolyss basin can withstand the maximum impact energy a test machine can deliver.



### ENDURING

Thanks to Diamatec®, Ipolyss stands up to the most demanding conditions, while being only 3.5mm at its thinnest point.



### LIGHTER

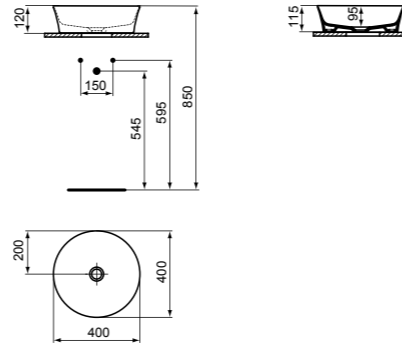
Diamatec® allows us to combine an ultra light design aesthetic with hardwearing durability for demanding environments.

VESSEL Ø40CM WITHOUT TAP HOLE

MODEL	FINISHING	SKU
No overflow, No tap hole	White White IdealPlus Coloured*	E139801 E1398MA E1398...

- 40x40 cm vessel  
 - Round  
 - 3.8mm radii  
 - Features Diamatec® technology  
 - No overflow

- No tap hole  
 - IdealPlus treatment available on E1398MA  
 - Chrome design siphon and ceramic free flow waste with coloured cover available (see page 141)

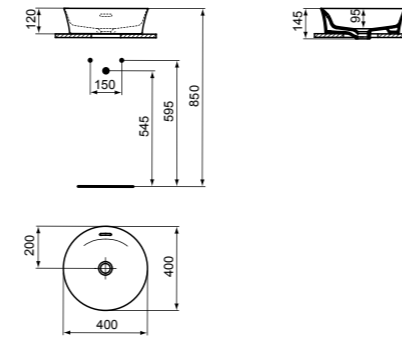


VESSEL Ø40CM WITHOUT TAP HOLE

MODEL	FINISHING	SKU
With overflow, No tap hole**	White White IdealPlus Coloured*	E141301 E1413MA E1413...

- 40x40 cm vessel  
 - Round  
 - 3.8mm radii  
 - Features Diamatec® technology  
 - With overflow

- No tap hole  
 - IdealPlus treatment available on E1413MA  
 - Chrome design siphon and ceramic free flow waste with coloured cover available (see page 141)

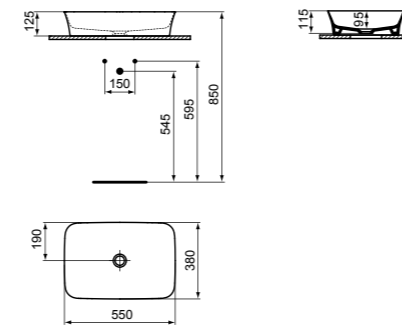


VESSEL 55CM WITHOUT TAP HOLE

MODEL	FINISHING	SKU
No overflow, No tap hole	White White IdealPlus Coloured*	E207601 E2076MA E2076...

- 55x38 cm vessel  
 - Rectangular  
 - 3.8mm radii  
 - Features Diamatec® technology  
 - No overflow

- No tap hole  
 - IdealPlus treatment available on E2076MA  
 - Chrome design siphon and ceramic free flow waste with coloured cover available (see page 141)

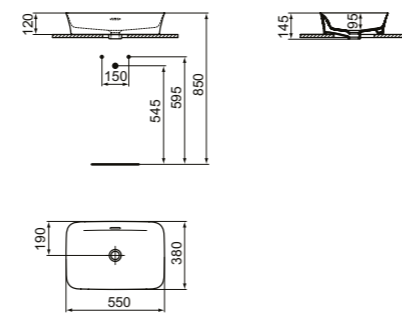


VESSEL 55CM WITHOUT TAP HOLE

MODEL	FINISHING	SKU
With overflow, No tap hole	White White IdealPlus Coloured*	E207801 E2078MA E2078...

- 55x38 cm vessel  
 - Rectangular  
 - 3.8mm radii  
 - Features Diamatec® technology  
 - With overflow

- No tap hole  
 - IdealPlus treatment available on E2078MA  
 - Chrome design siphon and ceramic free flow waste with coloured cover available (see page 141)



\* The last two digits of the SKU represents the finish of the model. If you would like a model in any other existing finishes than white, please refer to the chart below to see the matching colour codes.

\*\* Available starting as of January 2021

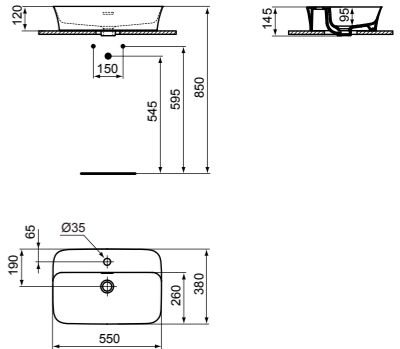


VESSEL 55CM WITH 1 TAP HOLE

MODEL	FINISHING	SKU
With overflow, 1 tap hole	White White IdealPlus Coloured*	E207701 E2077MA E2077...

- 55x38 cm vessel  
 - Rectangular  
 - 3.8mm radii  
 - Features Diamatec® technology  
 - With overflow

- With tap hole  
 - IdealPlus treatment available on E2077MA  
 - Chrome design siphon and ceramic free flow waste with coloured cover available (see page 141)

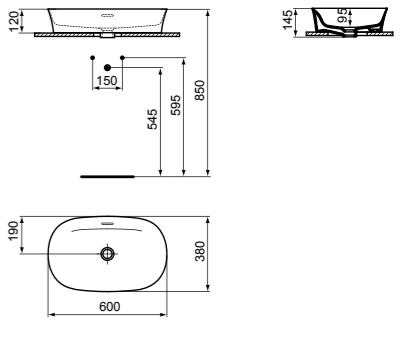


VESSEL 60CM WITHOUT TAP HOLE

MODEL	FINISHING	SKU
With overflow, no tap hole**	White White IdealPlus Coloured*	E139701 E1397MA E1397...

- 60x38 cm vessel  
 - Oval  
 - 3.8mm radii  
 - Features Diamatec® technology  
 - With overflow

- No tap hole  
 - IdealPlus treatment available on E1397MA  
 - Chrome design siphon and ceramic free flow waste with coloured cover available (see page 141)

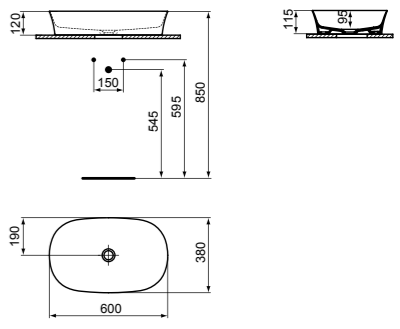


VESSEL 60CM WITHOUT TAP HOLE

MODEL	FINISHING	SKU
No overflow, no tap hole	White White IdealPlus Coloured*	E139601 E1396MA E1396...

- 60x38 cm vessel  
 - Oval  
 - 3.8mm radii  
 - Features Diamatec® technology  
 - No overflow

- No tap hole  
 - IdealPlus treatment available on E1396MA  
 - Chrome design siphon and ceramic free flow waste with coloured cover available (see page 141)

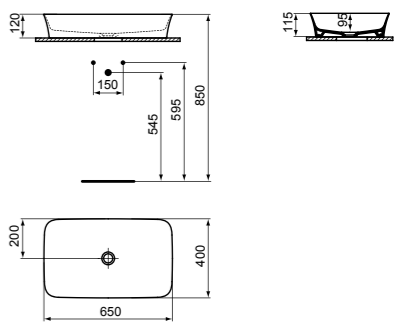


VESSEL 65CM WITHOUT TAP HOLE

MODEL	FINISHING	SKU
No overflow, No tap hole	White White IdealPlus Coloured*	E188601 E1886MA E1886...

- 65x40 cm vessel  
 - Rectangular  
 - 3.8mm radii  
 - Features Diamatec® technology  
 - No overflow

- No tap hole  
 - IdealPlus treatment available on E1886MA  
 - Chrome design siphon and ceramic free flow waste with coloured cover available (see page 141)



\* The last two digits of the SKU represents the finish of the model. If you would like a model in any other existing finishes than white, please refer to the chart below to see the matching colour codes.

\*\* Available starting as of January 2021



# IPALYSS

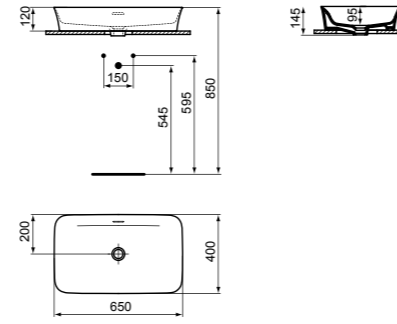
## VESSEL 65CM WITHOUT TAP HOLE



MODEL	FINISHING	SKU
With overflow, No tap hole	White White IdealPlus Coloured*	E188701 E1887MA E1887...

- 65x40 cm vessel
- Rectangular
- 3.8mm radii
- Features Diamatec® technology
- With overflow

- No tap hole
- IdealPlus treatment available on E1887MA
- Chrome design siphon and ceramic free flow waste with coloured cover available (see page 141)



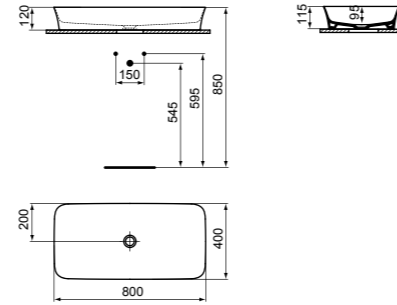
## VESSEL 80CM WITHOUT TAP HOLE



MODEL	FINISHING	SKU
No overflow, 1 tap hole	White White IdealPlus Coloured*	E139101 E1391MA E1391...

- 80x40 cm vessel
- Rectangular
- 3.8mm radii
- Features Diamatec® technology
- No overflow

- No tap hole
- IdealPlus treatment available on E1391MA
- Chrome design siphon and ceramic free flow waste with coloured cover available (see page 141)



# SIPHONS AND WASTE INFORMATION

If the rectangle is filled in grey, products can be combined.

		IPALYSS
<b>FREE FLOW WASTE COVER</b>		
● Black Gloss	E2114V2	
● Black Matt	E2114V3	
● Slate Grey	E2114V5	
● Concrete	E2114V9	
● Mink	E2114V8	
● Kashmir	E2114V4	
● Pomegranate	E2114V6	
● Nude	E2114V7	
● Powder	E2114X8	
● Sage	E2114X9	
● White Gloss	E211401	
○ White Silk	E2114V1	
<b>CHROME SIPHON E0079AA</b>		
<b>IDEALFLOW HIDDEN OVERFLOW FITTING*</b>		

\* For ideal flow orders:

- To install basin without overflow on basin unit order code N8326AA and space saving siphon EE23033967
- For wall-hung stand-alone and other installations, order code N8326AA and chrome siphon E0079AA

# IPALYSS — COLOUR PALETTE EXTENSION

## FINISHINGS CHART

\* The last two digits of the SKU represents the finish of the model. If you would like a model in any other existing finishes than white, please refer to the chart below to see the matching colour codes.

IPALYSS	FINISH	WHITE		BLACK		NEUTRALS (ALL SILK)				COLOURS (ALL SILK)			
		WHITE GLOSS	WHITE SILK	BLACK GLOSS	BLACK MATT	SLATE GREY	CONCRETE	MINK	KASHMIR	POMEGRANATE	NUDE	POWDER	SAGE
		01	V1	V2	V3	V5	V9	V8	V4	V6	V7	X8	X9

